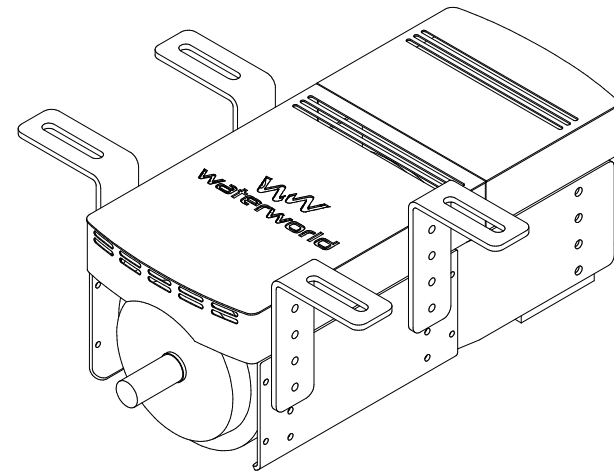


WATERWORLD 4kW MOTOR
ISO VIEW

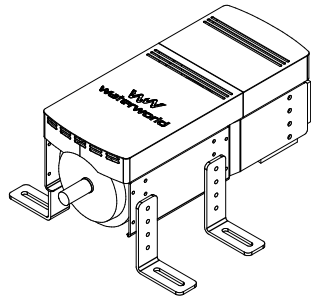


REVERSED MOUNTING

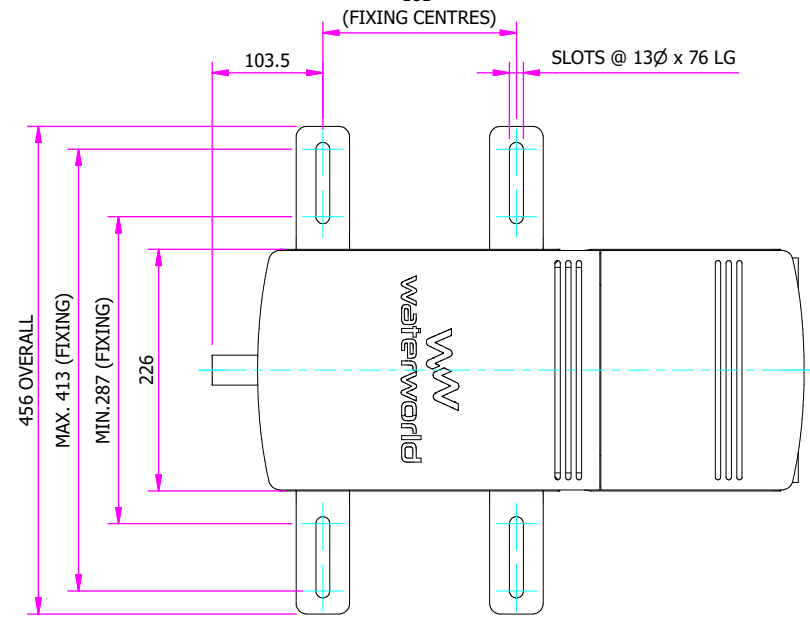
REV	DESCRIPTION	BY	DATE
0	FIRST ISSUE	JLS	09/08/2019

		TEL: 01634 290772 FAX: 01634 290773	
© THIS DRAWING/SPECIFICATION AND ALL THE DATA THEREIN ARE THE EXCLUSIVE PROPERTY OF ENERGY SOLUTIONS (UK) AND SHALL NOT BE REPRODUCED, COPIED OR USED FOR ANY PURPOSE WHATSOEVER, WITHOUT WRITTEN CONSENT.		REV 0	SCALE & SHEET SIZE 1:2 @ A3
ALL DIMENSIONS IN MILLIMETRES UNLESS OTHERWISE STATED.		DRAWN BY J.L.S	DATE 09/08/2019
UNLESS OTHERWISE STATED DRAWING STANDARDS TO B.S.308 1,2,3. MACHINED FACES 3.2 MICRONS TOLERANCES:- LINEAR = ± 0.1mm ANGULAR = ± 0.5°		CHECKED BY DATE	PROJECT P440
		APPROVED BY DATE	PART NO. WW-04.01
			DRG NO. P440-02-101
			 SHT 1 OF 3

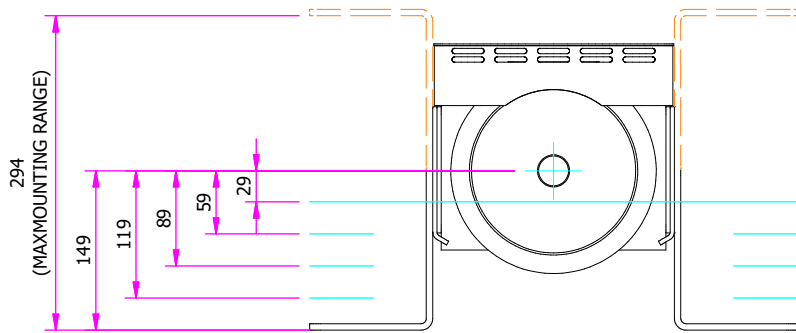
DO NOT SCALE. IF IN DOUBT ASK



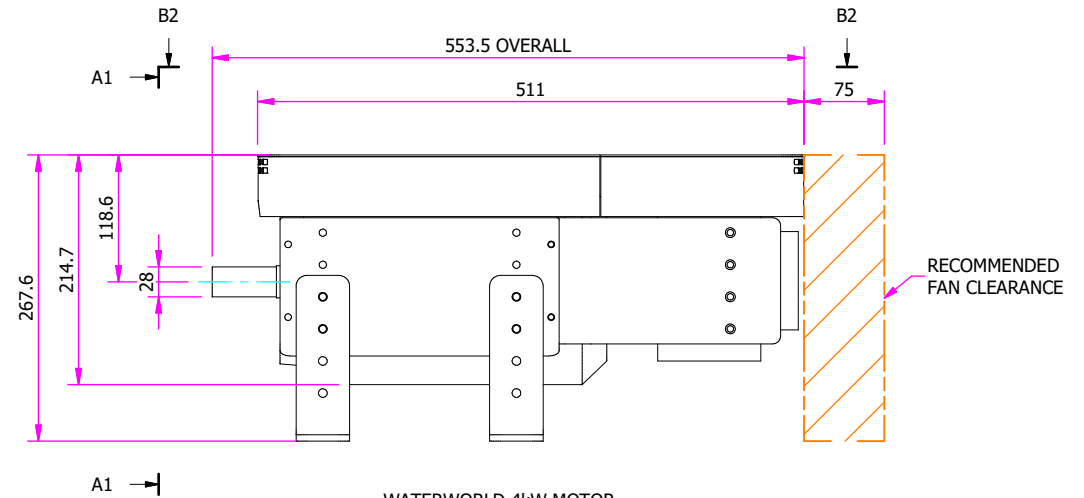
ISO VIEW



VIEW ON B2-B2



MOUNT ADJUSTMENT REPRESENTATION
(30mm INCREMENTAL ADJUSTMENT)
VIEW ON A1-A1



WATERWORLD 4kW MOTOR -
SCALE: (1 : 5)



TEL: 01634 290772
FAX: 01634 290773

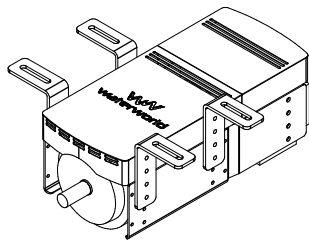
© THIS DRAWING/SPECIFICATION AND ALL THE DATA THEREIN ARE THE EXCLUSIVE PROPERTY OF ENERGY SOLUTIONS (UK) AND SHALL NOT BE REPRODUCED, COPIED OR USED FOR ANY PURPOSE WHATSOEVER, WITHOUT WRITTEN CONSENT.

ALL DIMENSIONS IN MILLIMETRES UNLESS OTHERWISE STATED.
UNLESS OTHERWISE STATED DRAWING STANDARDS TO B.S.308 1,2,3.
MACHINED FACES 3.2 MICRONS
TOLERANCES:- LINEAR = ± 0.1mm ANGULAR = ± 0.5°

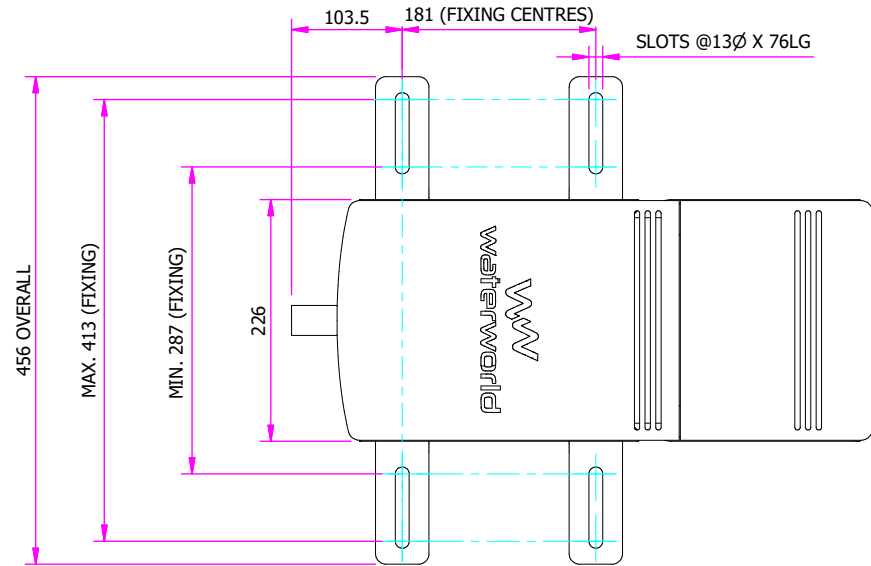
REV	0	SCALE & SHEET SIZE	1:2 @ A3	TITLE	DETAILS OF 4KW WATERWORLD MOTOR
DRAWN BY	J.L.S	DATE	09/08/2019	PROJECT	P440
CHECKED BY		DATE		PART NO.	WW-04.01
APPROVED BY		DATE		DRG NO.	P440-02-101

0	FIRST ISSUE	JLS	09/08/2019
REV	DESCRIPTION	BY	DATE
1			

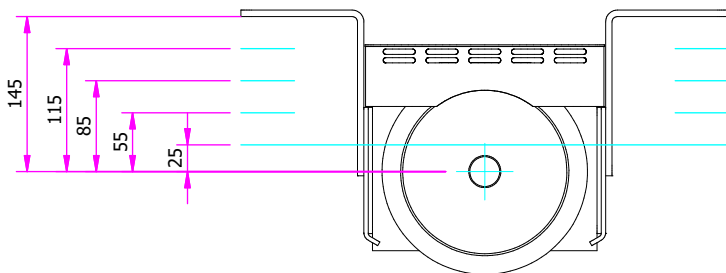
DO NOT SCALE. IF IN DOUBT ASK



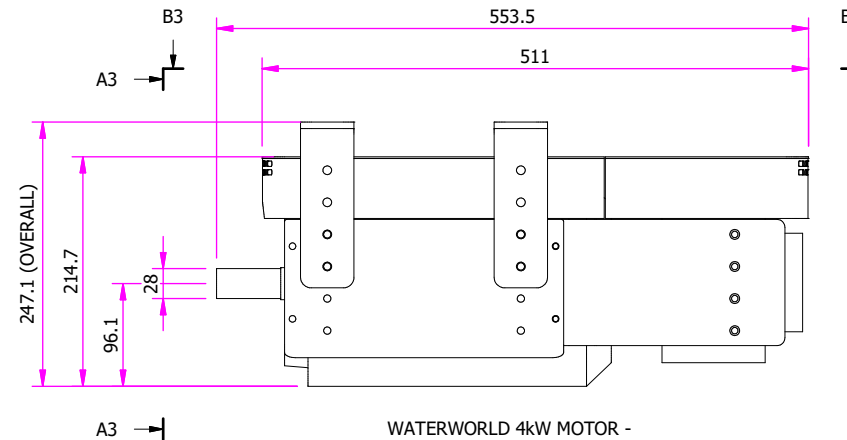
ISO VIEW



VIEW ON B3-B3



REVERSED MOUNTING REPRESENTATION
(30mm INCREMENTAL ADJUSTMENT)
VIEW ON A3-A3



WATERWORLD 4kW MOTOR -
SCALE: (1 : 5)



TEL: 01634 290772
FAX: 01634 290773

© THIS DRAWING/SPECIFICATION AND ALL THE DATA THEREIN ARE THE EXCLUSIVE PROPERTY OF ENERGY SOLUTIONS (UK) AND SHALL NOT BE REPRODUCED, COPIED OR USED FOR ANY PURPOSE WHATSOEVER, WITHOUT WRITTEN CONSENT.

ALL DIMENSIONS IN MILLIMETRES UNLESS OTHERWISE STATED.
UNLESS OTHERWISE STATED DRAWING STANDARDS TO B.S.308 1,2,3.
MACHINED FACES 3.2 MICRONS
TOLERANCES: LINEAR = ± 0.1mm ANGULAR = ± 0.5°

REV	0	SCALE & SHEET SIZE	1:2 @ A3	TITLE	DETAILS OF 4KW WATERWORLD MOTOR
DRAWN BY	J.L.S	DATE	09/08/2019	PROJECT	P440
CHECKED BY		DATE		PART NO.	WW-04.01
APPROVED BY		DATE		DRG NO.	P440-02-101

0	FIRST ISSUE	JLS	09/08/2019
REV	DESCRIPTION	BY	DATE
1			