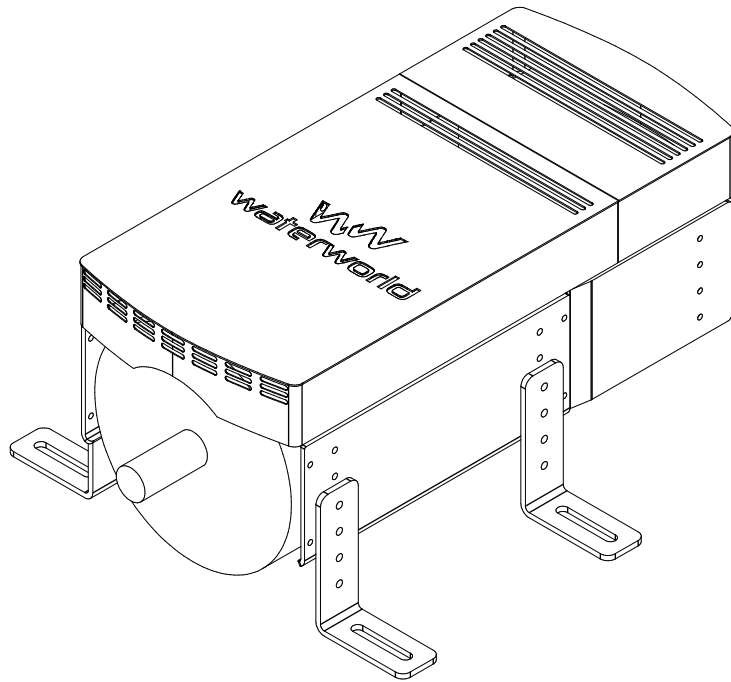
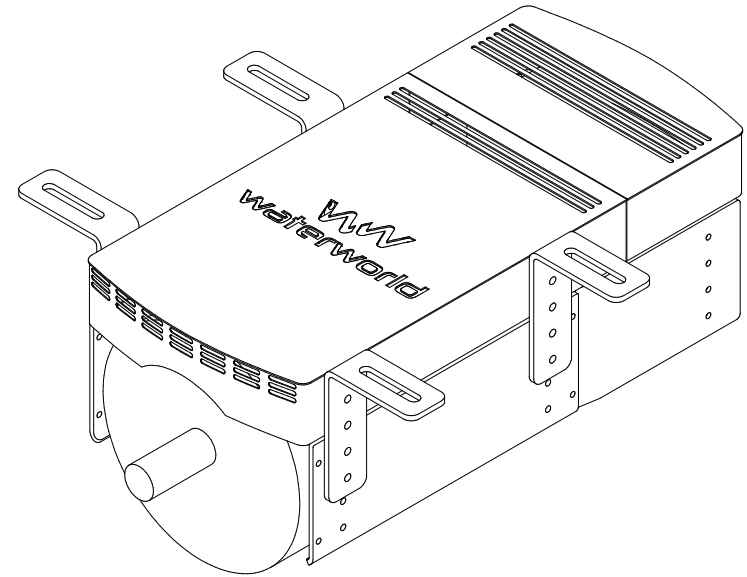


DO NOT SCALE. IF IN DOUBT ASK


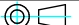


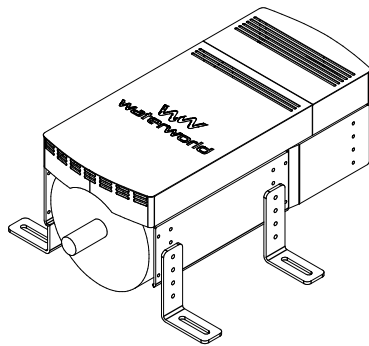
WATERWORLD 10kW MOTOR



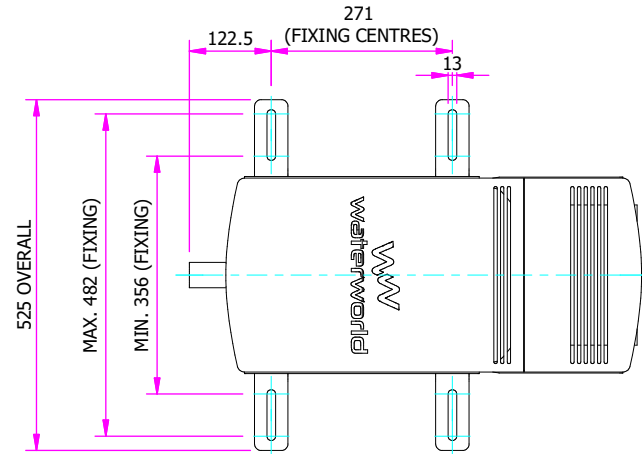
REVERSED MOUNTING

REV	DESCRIPTION	BY	DATE
0	FIRST ISSUE	JLS	09/08/2019

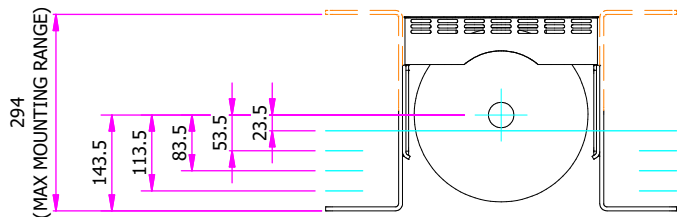
		TEL: 01634 290772 FAX: 01634 290773	
© THIS DRAWING/SPECIFICATION AND ALL THE DATA THEREIN ARE THE EXCLUSIVE PROPERTY OF ENERGY SOLUTIONS (UK) AND SHALL NOT BE REPRODUCED, COPIED OR USED FOR ANY PURPOSE WHATSOEVER, WITHOUT WRITTEN CONSENT. ALL DIMENSIONS IN MILLIMETRES UNLESS OTHERWISE STATED. UNLESS OTHERWISE STATED DRAWING STANDARDS TO B.S.308 1,2,3. MACHINED FACES 3.2 MICRONS TOLERANCES:- LINEAR = ± 0.1mm ANGULAR = ± 0.5°	REV 0	SCALE & SHEET SIZE 1:8 @ A3	TITLE DETAILS OF 10kW WATERWORLD MOTOR
	DRAWN BY J.L.S	DATE 09/08/2019	PROJECT P440
	CHECKED BY	DATE	PART NO. WW-10.01
	APPROVED BY	DATE	DRG NO. P440-02-102
			 SHT 1 OF 3



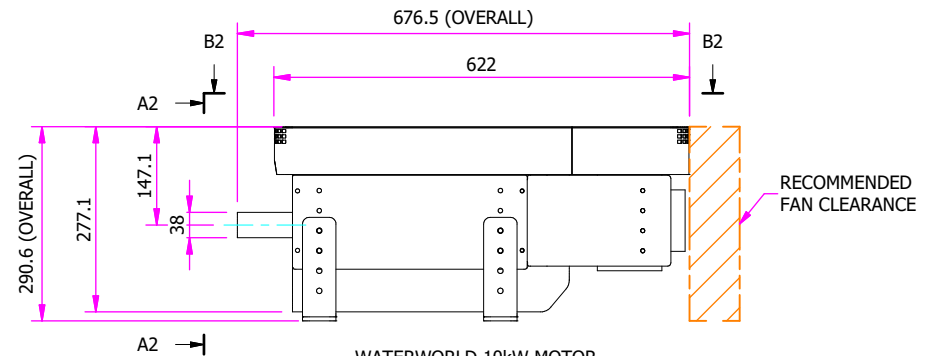
ISO VIEW



VIEW ON B2-B2



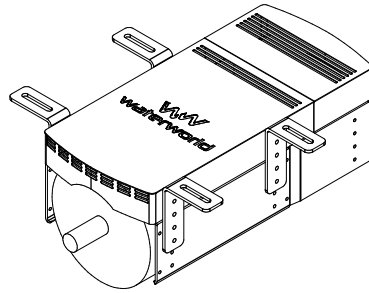
MOUNT ADJUSTMENT REPRESENTATION
(30mm INCREMENTAL ADJUSTMENT)
VIEW ON A2-A2



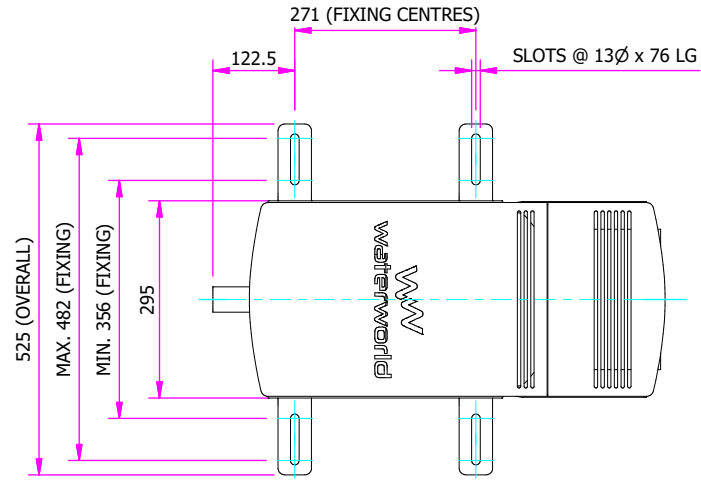
WATERWORLD 10kW MOTOR
SCALE: (1:8)

REV	DESCRIPTION	BY	DATE
0	FIRST ISSUE	JLS	09/08/2019

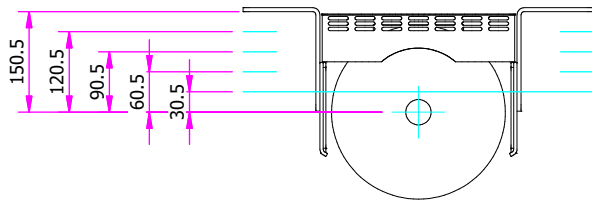
		TEL: 01634 290772 FAX: 01634 290773	SCALE & SHEET SIZE 1:8 @ A3	TITLE DETAILS OF 10kW WATERWORLD MOTOR
© THIS DRAWING/SPECIFICATION AND ALL THE DATA THEREIN ARE THE EXCLUSIVE PROPERTY OF ENERGY SOLUTIONS (UK) AND SHALL NOT BE REPRODUCED, COPIED OR USED FOR ANY PURPOSE WHATSOEVER, WITHOUT WRITTEN CONSENT.	REV 0	DRAWN BY J.L.S	DATE 09/08/2019	PROJECT P440
ALL DIMENSIONS IN MILLIMETRES UNLESS OTHERWISE STATED. UNLESS OTHERWISE STATED DRAWING STANDARDS TO B.S.308 1,2,3. MACHINED FACES 3.2 MICRONS TOLERANCES:- LINEAR = ± 0.1mm ANGULAR = ± 0.5°	CHECKED BY	DATE	PART NO. WW-10.01	DRG NO. P440-02-102
	APPROVED BY	DATE		SHT 2 OF 3



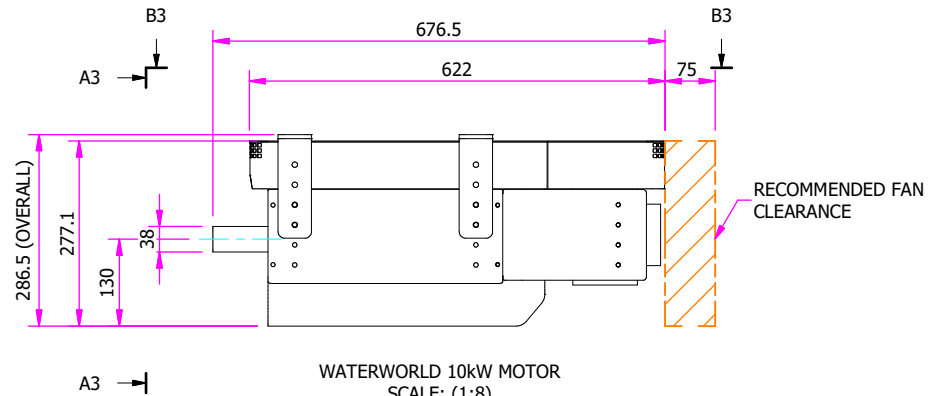
ISO VIEW



VIEW ON B3-B3



MOUNT ADJUSTMENT REPRESENTATION
(30mm INCREMENTAL ADJUSTMENT)
VIEW ON A3-A3



WATERWORLD 10kW MOTOR
SCALE: (1:8)

		TEL: 01634 290772 FAX: 01634 290773	
© THIS DRAWING/SPECIFICATION AND ALL THE DATA THEREIN ARE THE EXCLUSIVE PROPERTY OF ENERGY SOLUTIONS (UK) AND SHALL NOT BE REPRODUCED, COPIED OR USED FOR ANY PURPOSE WHATSOEVER, WITHOUT WRITTEN CONSENT.		TITLE: DETAILS OF 10kW WATERWORLD MOTOR	
REV: 0	SCALE & SHEET SIZE: 1:8 @ A3	PROJECT: P440	
DRAWN BY: J.L.S	DATE: 09/08/2019	PART NO: WW-10.01	
CHECKED BY:	DATE:	DRG NO: P440-02-102	
APPROVED BY:	DATE:	SHT 3 OF 3	
ALL DIMENSIONS IN MILLIMETRES UNLESS OTHERWISE STATED. UNLESS OTHERWISE STATED DRAWING STANDARDS TO B.S.308 1,2,3. MACHINED FACES 3.2 MICRONS TOLERANCES: LINEAR = ± 0.1mm ANGULAR = ± 0.5°			

REV	DESCRIPTION	BY	DATE
0	FIRST ISSUE	JLS	09/08/2019